



**GRAMMER**

PREMIUM SEATING SYSTEMS



# KINGMAN

THE ONLY SUSPENSION THAT'S  
READY FOR THE LONG HAUL



TRUCKS



RV

# KINGMAN

It's a big world. Now you can see it in comfort. With a rugged air suspension, this seat offers the same performance you find in our heavy-duty off-road models. Combined with ergonomic design and easy adjustments, it's built for the long haul. Just like you.



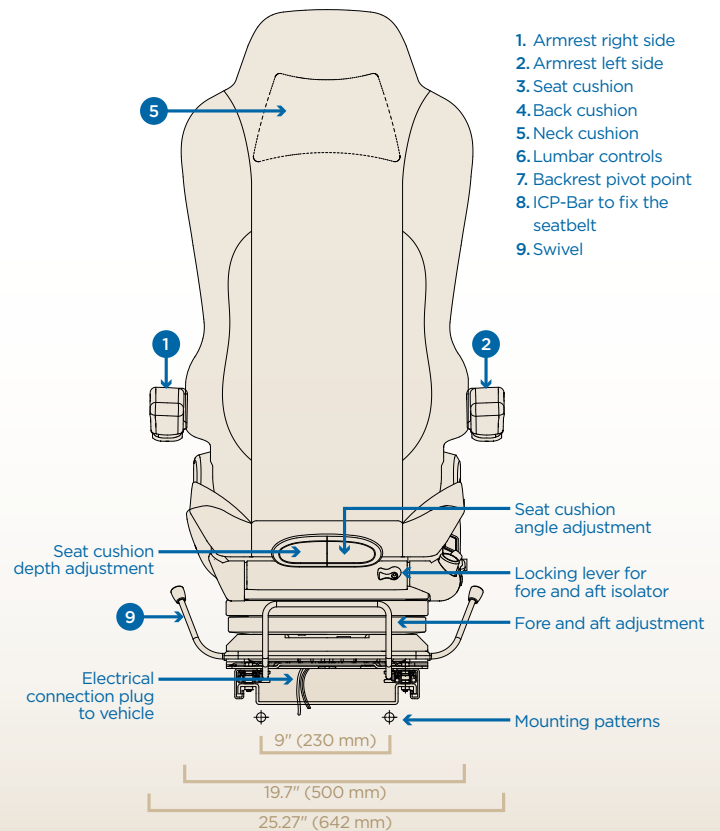
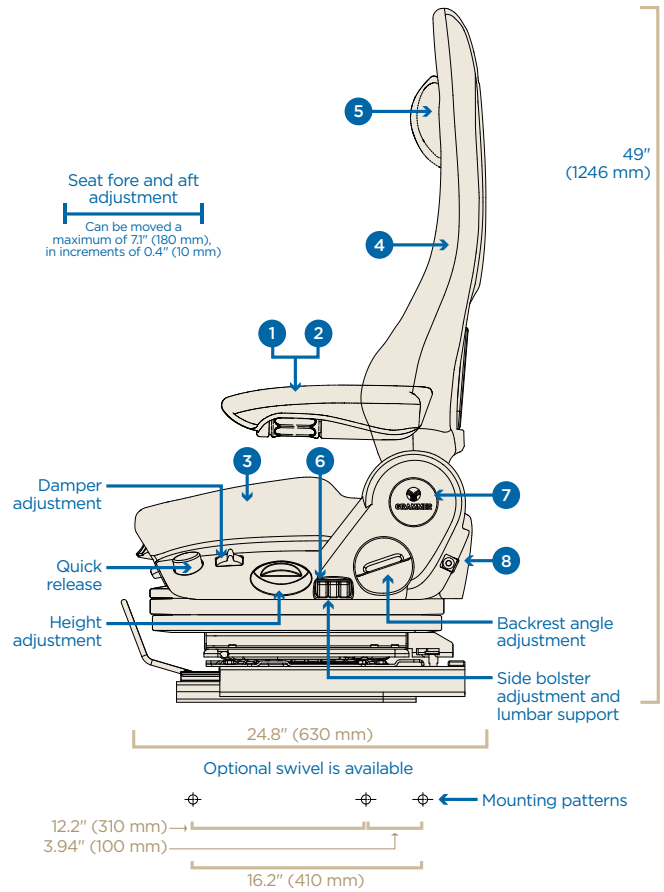
● = FEATURES ○ = OPTIONAL FEATURES

	COMFORT	LUXURY
Seat cushion cover	Cloth	Leather
Air height adjustment	●	●
Memory height adjustment	●	●
Quick release button	●	●
Adjustable reclining backrest	●	●
Lower air lumbar support	●	●
Upper air lumbar support	●	●
Side air bolster support (both sides)	●	●
Fore & aft slide adjustment	●	●
Fore/aft isolator (w/ lock)	●	●
High back profile backrest	●	●
Bottom cushion width	20"	20"
Seat cushion extension	●	●
Seat tilt adjustment	●	●
Adjustable shock absorber	●	●
Dual armrests	○*	●**
Seat heating	○	●
Cool air ventilation system	N/A	●
Swivel	○	○
Map pocket, net	●	●
Bellows suspension cover	●	●
Neck-cushion	Cloth	Leather
ICP-bar	●	●
Adapter-plate***	○	○

\* Standard formed armrests

\*\* Leather-covered armrests

\*\*\* Salable adapter plate - for PACCAR and Navistar models



## GRAMMER INC.

231 Laney Road • Shannon, MS 38868  
800-FOR-SEATS • Fax: 715-377-0200  
usa.grammer.com