

Product Guide

ATLAS II



SUBURBAN
SEATING & SAFETY

SEARS
SEATING

Table of Contents

Atlas II Seats.....	3
Atlas II PC Series	7
Optional Accessory Kits.....	10
The Fabriform® Story.....	11
Seat Covering Selection Guide.....	14
Warranty Information.....	15



Atlas II Seats



Discover what makes new Atlas II from Sears Seating the “Best in Class” truck seats for today’s heavy duty market.

The Atlas II truck seat is a new contemporary-styled, truck seat designed to enhance comfort and improve performance.

Enhanced Comfort

Atlas II has a back support structure contoured to the natural shape of the spine and a contoured seat pan that provides full body support. Seat cushion foam has been enhanced to provide a new level of comfort for the operator.

Improved Adjustability

Atlas II has improved the adjustments of the seat by providing new “easier to operate” seat cushion tilt and seat cushion extension features. A new adjustable shock/damper system allows for a customized ride.

New “Comfort” Feature with the Operator in Mind

Atlas II has developed CVS (Cushion Ventilation System) that provides the operator a “COOL” seat. Thermassage is a heat/massage seat to relax away the aches of a long day of driving.

Other features include the newly styled control panels for ease of control use, Quad-chamber air lumbar system and a molded rubber boot to protect suspension.

Unmatched Durability and Ride Performance

ToggleLink Air Suspension®

Sears Seating improved truck seating from the ground up with a new patented design based on driver feedback. The ToggleLink Suspension® delivers a better ride performance. Its internal end stops greatly reduce the chance of topping and bottoming, while the design’s superior lateral stability reduces side-to-side rocking.

Atlas ToggleLink Suspension® also has fewer main wear points for longer service life.

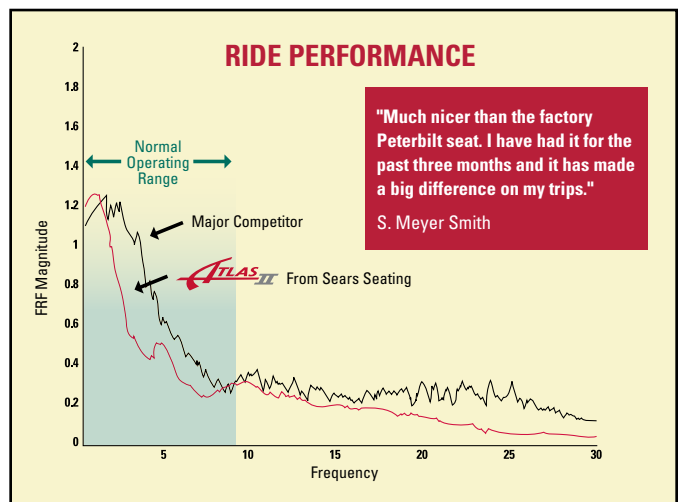
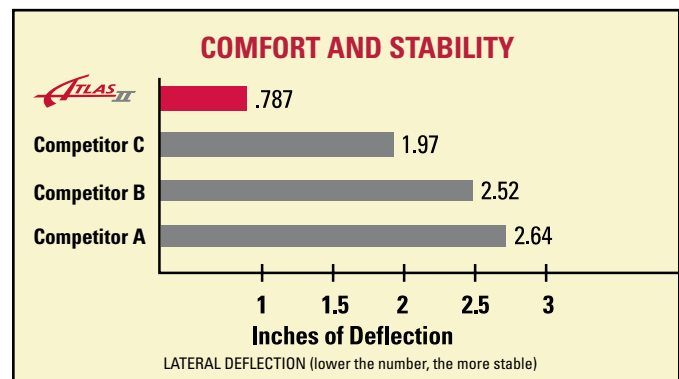
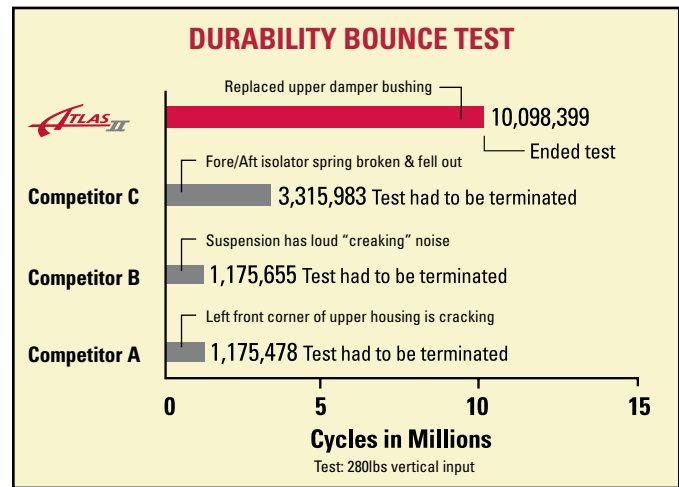
Stabilizer Double-Locking Slides/Isolator

Sears added a double-locking slide/isolator package to further reduce vibration, eliminate torsion racking and greatly improve the ride. It allows for greater adjustability with 9” of fore/aft slide travel and a full two inches of smooth isolation.

Proof of Performance

Atlas was subjected to complete and rigorous durability testing. For the standard vertical bounce test, the seat carried a 280-pound weight for over 10 million vertical bounce cycles, while competition ranged from 1.7 million cycles to 3.3 million before failure.

Atlas II excels in tests against others:



Atlas II PC Series



Standard Features:

Atlas ToggleLink Air Suspension with flat floor riser

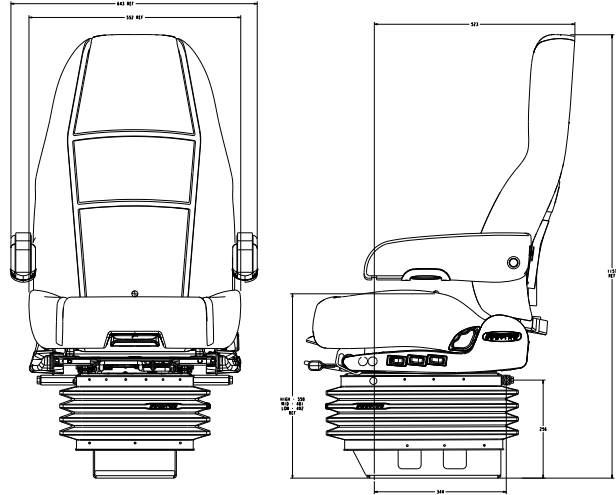
Atlas "Stabilizer" double locking slides with 9" travel & fore/aft isolator

Atlas seat top with contoured back frame structure

- Contoured metal seat pan
- Ergonomic 22" wide "luxury comfort" seat & back cushions
- Cut n' sew - Vinyl, Mordura cloth or Ultraleather (High back only)
- Fabriform - cloth - High-back or mid-high back
- Integrated seat cushion tilt /extension - 3 positions
- PC - quad chamber air lumbar system
- Recliner
- "New style" control pods and recliner handle

Options:

- Vinyl, Cloth or Leatherette Upholstery
- Vinyl suspension skirt
- Molded Boot
- Armrests
- StowAway armrests



Standard Colors	Vinyl*	Cloth/Fabriform*	Leatherette*
Black	12	M0	X0
Gray	WS	M1	X1
Blue	J7	HQ	JE
Burgundy	D3	CF	D6
Tan	69	4F	6E
Brown	Not Available	4E	Not Available

* Insert appropriate color code to complete seat part number

Description	Base Part Number	
	Mid-high Back	High-Back
Standard (no arms)		2D231**NNNNN
Standard (no arms) with skirt		2D231**NSNNN
Standard (no arms) with molded boot		2D231**NBNNN
Standard (no arms) Fabriform®	2D633**NNNNN	2D832**NNNNN
Standard (no arms) with skirt Fabriform®	2D633**NSNNN	2D832**NSNNN
Standard (no arms) with molded boot Fabriform®	2D633**NBNNN	2D832**NBNNN
Standard (dual arms)		2D211**BNNNN
Standard (dual arms) with skirt		2D211**BSNNN
Standard (dual arms) with molded boot		2D211**BBNNN
Standard (dual arms) Fabriform®	2D613**BNNNN	2D812**BNNNN
Standard (dual arms) with skirt Fabriform®	2D613**BSNNN	2D812**BSNNN
Standard (dual arms) with molded boot Fabriform®	2D613**BBNNN	2D812**BBNNN



Optional Accessory Kits

1. Armrest kits – Atlas II LE, DLX & PC
2. Vinyl suspension skirt Kit
3. Floor mounting kits



Standard Colors	Vinyl*	Cloth*	Leatherette*
Black	210	2NJ	2NP
Gray	2WQ	2NG	2NQ
Blue	2J5	2HH	2HM
Burgundy	2B0	2C6	2CC
Tan	267	25W	249
Brown	Not Available	25S	Not Available
Asphalt (70 Series only)	Not Available	A04	Not Available

*** Insert appropriate color code to complete armrest part number

Description	Base Part Number
Armrest Kits – 35 Series	
Left Hand Armrest	SA17508.***
Right Hand Armrest	SA17509.***
Sentry Series	
Left Hand Armrest	SA31209.***
Right Hand Armrest	SA31208.***
70 & Elite 80 Series	
Left Hand Armrest	SA23909.***.901
Right Hand Armrest	SA23908.***.901
Elite 80 Series – MAG Pan	
Left Hand Armrest	SA23215.***.901
Right Hand Armrest	SA23216.***.901
70 & 80 Series – StowAway Armrest Kits	
Left Hand StowAway Armrest	SA23356.***
Right Hand StowAway Armrest	SA23355.***
Atlas II Series	
Left hand Armrest	SA35371.***.901
Right hand Armrest	SA35370.***.901
Atlas II Series - StowAway Armrest Kits	
Left Hand StowAway Armrest	SA35375.***.901
Right Hand StowAway Armrest	SA35374.***.901
Molded Suspension Boot kit - Atlas II only	
	SA35249.901
Vinyl Suspension Cover (Skirt) Kit (Atlas only)	
	SA18151.2x2.901
Seat Adapter Mounting Kits Atlas only	
Universal Mounting Adapter Plate Kit	SA23204
EzyRider Mounting Adapter Kit	SA23226
Daimler Cascadia Mounting/tether Kit	SA31231
Curved Floor Mounting Kit (Business Class)	SA18107.901
Curved Floor Mounting Kit (Freightliner M-2)	SA18106.901
International ProStar Mounting brackets/tether kit	SA35508
PACCAR Mounting Brackets/tether kit (Kenworth T680, Peterbilt 579)	SA35537



Atlas II armrest



The Fabriform® Story

The old screwdriver-in-the-back-pocket abuse test barely leaves a mark.

Think how many times a day your operators are in and out of the cab. It adds up to hundreds of thousands of times over the life of your truck. And every time someone slides in or out, your seats can pay the price with wear and tear.

You won't have to worry about Sears seats with Fabriform® wearing out. They're made of a patented process that flamebonds a trilaminate of film, foam and fabric.

Superior wear resistance makes Fabriform® the ideal seat for regional, high delivery and vocational operations where drivers are in and out of the seat frequently.

The patented Fabriform® process involves flamebonding a rugged tri-laminate of film, foam and fabric. Poured into the fabric/ mold, the foam bonds with the tri-laminate fabric as it cures.

The tri-laminate material provides a barrier of protection. Its "wicking" action disperses moisture and perspiration. The seats can be easily cleaned.

Unlike cut-'n'-sew covers, Fabriform® cushions have no seams. This makes them impervious to dust, dirt and water – the major causes of cushion wear.



Seat Covering Selection Guide

VINYL



Black



Gray



Blue



Burgundy

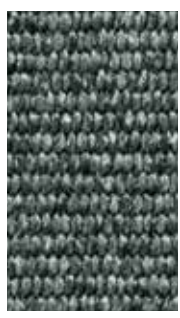


Tan

CLOTH/FABRIFORM®



Black



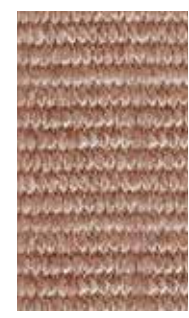
Gray



Blue



Burgundy



Tan



Brown



Asphalt

LEATHERETTE



Black



Gray



Blue



Burgundy



Tan

Warranty Information

ATLAS II AND SENTRY SERIES 5 YEARS/UNLIMITED MILES LIMITED WARRANTY—NON PRO-RATED 3 YEARS/UNLIMITED MILES—FABRIFORM CUSHION

Sears Seating expressly warrants, to the original purchaser, that all structural seat components in the **Atlas II and Sentry Series** Suspension seats shall be free from defects in material and workmanship for five (5) years from date-of-purchase provided such seats are subject to normal use and receive proper maintenance. Sears Seating expressly warrants that each seat shall be free of defects in materials and workmanship, and that the cushions and seat covers (excluding Fabriform cushions) shall be free from defectively sewn seams for a period of one (1) year or 100,000miles, whichever comes first, excluding normal wear and tear. **Fabriform® cushions** shall be free from defects in material for a period of three (3) years, excluding normal wear and tear—both from date-of-purchase.

Your sole and exclusive remedy against Sears Seating arising from the purchase or use of the aforementioned suspension seats is limited to repair or replacement of defective materials or defective workmanship, after verification by Sears Seating. During the first year or 100,000miles, whichever comes first, Sears Seating will reimburse the purchaser for labor incurred for removal and replacement of defective parts based on Sears Seating's warranty rate chart. Repairs will be preformed at authorized repair facilities.

These warranties do not apply to broken valve stems or to valve failure due to foreign matter in the air valves and air system.

These warranties will become null and void if:

- The seat has been subjected to abuse, neglect, or accident.
- The seat has been altered, modified, changed or reworked in a manner not previously authorized by Sears Seating.
- The seat is installed in a manner that would subject it to abnormal wear.
- Recommended maintenance is not followed.
- Damage to the cushions and covers caused by cuts, burns or abuses.

WARRANTY DISCLAIMERS AND LIMITATIONS OF LIABILITY

THE ABOVE EXPRESSED WARRANTY SHALL BE THE EXCLUSIVE WARRANTY, AND SEARS SEATING MAKES NO OTHER WARRANTIES, EXPRESSED OR IMPLIED. SEARS SEATING EXPRESSLY DISCLAIMS ANY IMPLIED WARRANTIES OF MERCHANTABILITY AND IMPLIED WARRANTIES OF FITNESS FOR A PARTICULAR PURPOSE.

IT IS AGREED THAT SEARS SEATING SHALL NOT BE LIABLE FOR INCIDENTAL OR CONSEQUENTIAL DAMAGES, including, but not limited to, loss of income, loss of use, lost profits, damage to other property, the cost of removing and reinstalling aforementioned suspension seats, attorney's fees and any liability you may have with respect to any other person.

For other details on our warranty policy, contact your Sears Seating representative or Sears Seating Customer Service. **800-553-3013**

SEARS C-2 SERIES FABRIFORM® 2 YEARS/2 YEARS LIMITED WARRANTY—NON PRO-RATED

Sears Seating expressly warrants, to the original purchaser, that all structural seat components in the C-2 Series Suspension seats with Fabriform® cushions shall be free from defects in material and workmanship for two (2) years from date-of-purchase provided such seats are subject to normal use and receive proper maintenance. Sears Seating also expressly warrants that the Fabriform® cushions shall be free from defects in materials for a period of two (2) years, excluding normal wear and tear.

Your sole and exclusive remedy against Sears Seating arising from the purchase or use of the aforementioned suspension seats is limited to repair or replacement of defective materials or defective workmanship, after verification by Sears Seating. During the first year or 100,000miles, whichever comes first, Sears Seating will reimburse the purchaser for labor incurred for removal and replacement of defective parts based on Sears Seating's warranty rate chart. Repairs will be preformed at authorized repair facilities.

These warranties do not apply to broken valve stems or to valve failure due to foreign matter in the air valves and air system.

These warranties will become null and void if:

- The seat has been subjected to abuse, neglect, or accident.
- The seat has been altered, modified, changed or reworked in a manner not previously authorized by Sears Seating.
- The seat is installed in a manner that would subject it to abnormal wear.
- Recommended maintenance is not followed.
- Damage to the cushions and covers caused by cuts, burns or abuses.

WARRANTY DISCLAIMERS AND LIMITATIONS OF LIABILITY

THE ABOVE EXPRESSED WARRANTY SHALL BE THE EXCLUSIVE WARRANTY, AND SEARS SEATING MAKES NO OTHER WARRANTIES, EXPRESSED OR IMPLIED. SEARS SEATING EXPRESSLY DISCLAIMS ANY IMPLIED WARRANTIES OF MERCHANTABILITY AND IMPLIED WARRANTIES OF FITNESS FOR A PARTICULAR PURPOSE.

IT IS AGREED THAT SEARS SEATING SHALL NOT BE LIABLE FOR INCIDENTAL OR CONSEQUENTIAL DAMAGES, including, but not limited to, loss of income, loss of use, lost profits, damage to other property, the cost of removing and reinstalling aforementioned suspension seats, attorney's fees and any liability you may have with respect to any other person.

For other details on our warranty policy, contact your Sears Seating representative or Sears Seating Customer Service. **800-553-3013**



SUBURBAN
SEATING & SAFETY

WARNING: Serious injury may occur if head clearance is not adequate. After installing seat and before riding or driving vehicle, ensure that there is adequate head clearance at maximum upward travel of seat. While sitting in seat, slowly raise the seat to its maximum height by actuating the suspension air control valve.

For normal seat operations, adjust seat to proper ride height by actuating the suspension air control valve to raise or lower the seat to a comfortable ride height.

Seat belts should be worn at all times by driver and passenger when operating the vehicle.

This seat conforms to Federal motor vehicle safety standards 207 and 302 as in effect at the time of manufacture when correct mounting hardware and tether belts are used.

It is the responsibility of the installer to ensure that proper seat mounting hardware and mounting channels (when required) and seat belt and tether belt anchorages are used according to requirements of Federal motor vehicle safety standards. Use only high strength fasteners and heavy duty washers and tether belts when installing the seat assembly.

To avoid possible injury and equipment damage and to prolong the life of the seat it is necessary to keep the seat suspension free of debris and foreign material.

SEARS
SEATING

P.O. Box 3667 | Davenport, IA 52808
Phone: 800 553 3013 Fax: 563 383 2819 | www.searsseating.com
©2013 Sears Manufacturing Company